

# SIG-C



## SIG-C Automatic corrugated bundler

### High-speed Bundling

Up to 32 bundles per minute to maximize production capacity

### Lowest Cost of Ownership

Robust machine design coupled with low maintenance simplicity to minimize costs

### Operator- friendly

Intuitive icon-driven controls enable fast bundle set-up

### Maximum Uptime

Automatic strap loading, discharging at the end of a coil and refeed technologies minimize downtime for continuous strapping



# SIG-C

## Automatic corrugated bundler



The SIG-C automatic corrugated bundler provides high speed bundling capabilities for flexo-folder corrugated products. The SIG-C is manufactured with intuitive features to ensure continuous strapping and maximum uptime.

### Features and benefits

#### ■ Minimizes production interruptions

From auto refeed that can refeed the strap up to 3 times to end-of-strap monitoring with auto ejection, the SIG-C has standard built-in features to keep production downtime to a minimum. Extra long strap coils with nearly 42% more strap coupled with quick-change dispensers reduce coil changeover frequency and downtime.

#### ■ Simplifies maintenance requirements

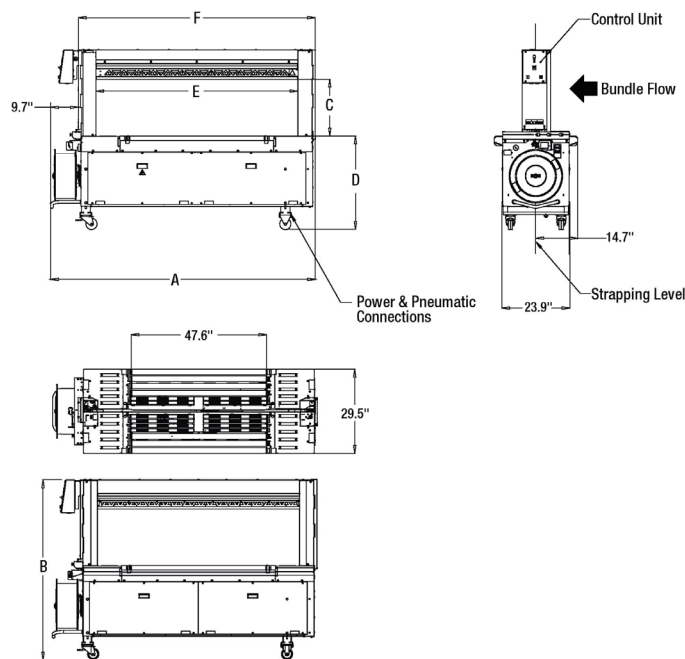
For easy troubleshooting, the SIG-C is equipped with patented easy access strap guides that require no tools for entry. Plus, a segmented strap chute with a lifetime warranty on the flaps and one wear part eliminate costly repairs and maintenance downtime.

#### ■ Provides production versatility

The SIG-C has built-in features including a low tension strap ejector, segmented chute and ultra low tension to streamline production changes, while helping to minimize product indentations from strapping.

### SIG-C options

- Spare magnetic strap dispenser
- Spare parts kit
- Industrial interlock kit
- High leg kit (40"-49")
- Low leg kit (25.2"-31")
- Floor rails



### SIG-C Technical Specifications

|                             |   |
|-----------------------------|---|
| Cycle Rate Per Minute (Max) | 32 bundles without compression<br>27 bundles with compression |
| Conveyor Speed              | Variable from .19 to .97 m/sec (.65 to 3.2 ft/sec)            |
| Strap Tension               | Variable up to 311 N (70 lbs)                                 |
| Strap Material              | Polypropylene 5 mm embossed                                   |
| Strap Seal Method           | Heat seal   |
| Electrical Requirement      | 460 Volt, 16 AMP, 60 Hz                                       |
| Pneumatic Requirement       | 620.5 kPa (90 psi)  |
| Pneumatic Consumption       | 3998 cubic cm (244 cubic inch) per cycle (free air)           |
| Environmental Condition     | 4.4° to 37.7° Celsius (40° to 100° Fahrenheit)                |

### Machine Dimensions

|                                   | SIG-C 1650                                | SIG-C 1250                        |
|-----------------------------------|---|-----------------------------------|
| Frame Size W x H                  | 1650 mm x 600 mm<br>(65" x 23")           | 1200 mm x 600 mm<br>(49" x 23")   |
| Part Number                       | x55001                                    | x46000                            |
| Total Width Including Strap Coil  | A 2362.2 mm (93")                         | 1955.8 mm (77")                   |
| Total Height                      | B 1562.1 mm to 1790.7 mm (61.5" to 70.5") |                                   |
| Inner Frame Height with Press Bar | C 500.3 mm (19.7")                        |                                   |
| Tabletop Height                   | D 787.4 mm to 1016 mm (31" to 40")        |                                   |
| Front Stopper Distance            | E 1803.4 mm (71")                         | 1397 mm (55")                     |
| Arch Width                        | F 2110.7 mm (83.1")                       | 1709 mm (67.3")                   |
| Weight                            | 453.5 kg (1000 lbs.)                      | 405.9 kg (895 lbs.)               |
| Bundle Width                      | 101.6 mm to 1651 mm (4" to 65")           | 101.6 mm to 1244.6 mm (4" to 49") |
| Bundle Height                     | 20 mm to 480 mm (0.8" to 18.9")           |                                   |
| Bundle Length (Min)               | 152.4 mm (6")                             |                                   |
| Bundle Weight (Max)               | 49.8 kg (110 lbs)                         |                                   |