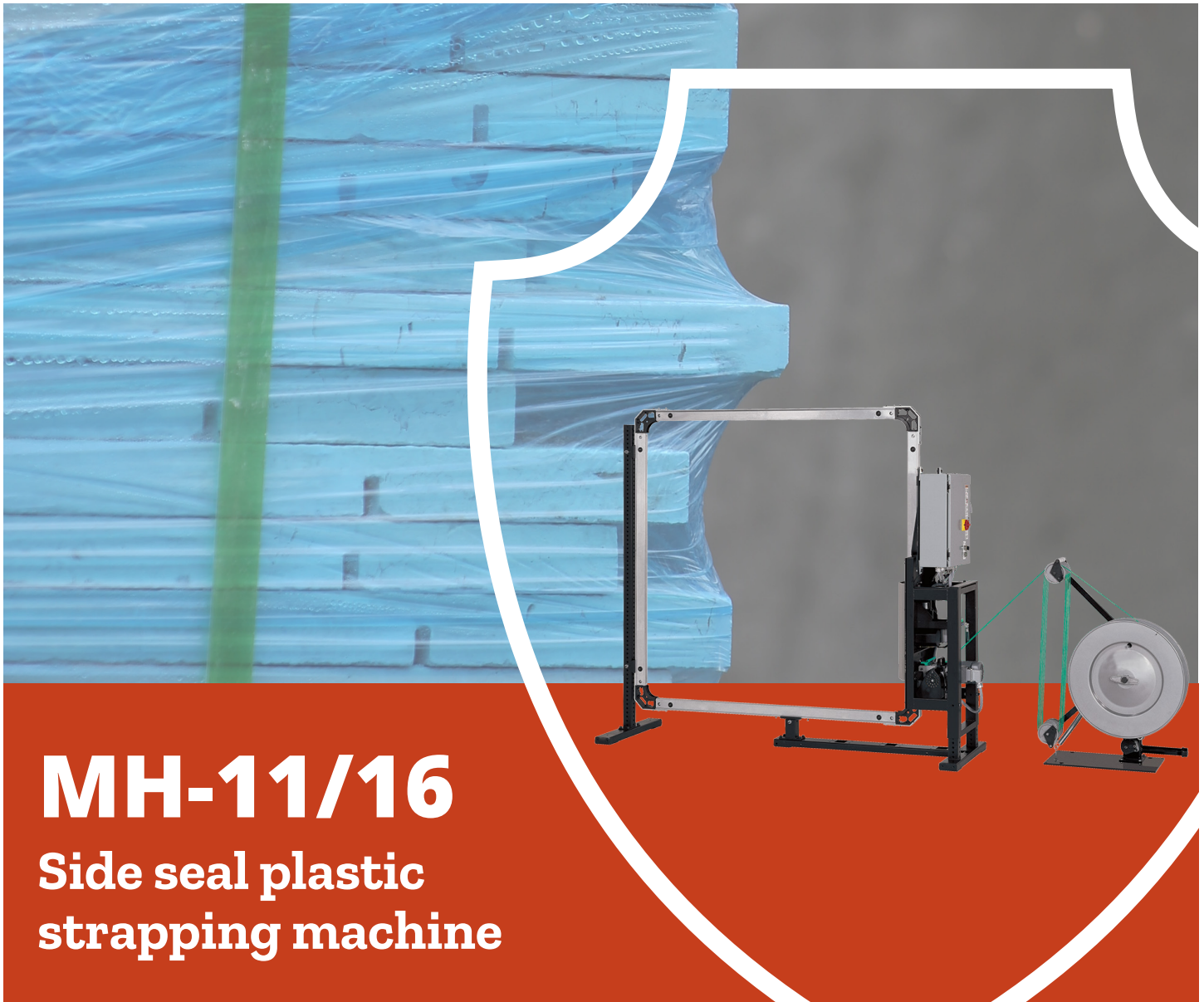


MH-11/16



MH-11/16

Side seal plastic strapping machine

Streamlines Upkeep

Quick change feeder and sealer modules

Operator Friendly

HMI operator control panel and easy machine maintenance

Application Versatility

Multiple machine sizes and options for a wide range of packaging needs

Unparalleled Performance

Smart-weld™ technology and high speed operation

MH-11/16

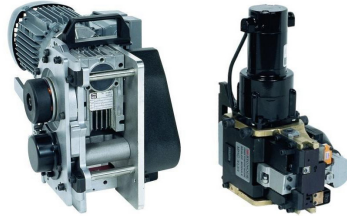
Side seal plastic strapping machine



The MH-11/16 side seal plastic strapping machine combines Signode's quick-change modules with high speed, reliable operation to maximize productivity and reduce downtime. Simple to operate and easy to maintain, the MH-11/16 with its large selection of chute sizes is ideal for a variety of packaging applications.

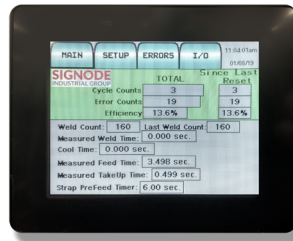
Features and benefits

The innovative modular design consists of separate feed and seal modules weighing less than 32 lbs. each. These lightweight, compact modules are easy to access and can be changed out quickly for routine maintenance.



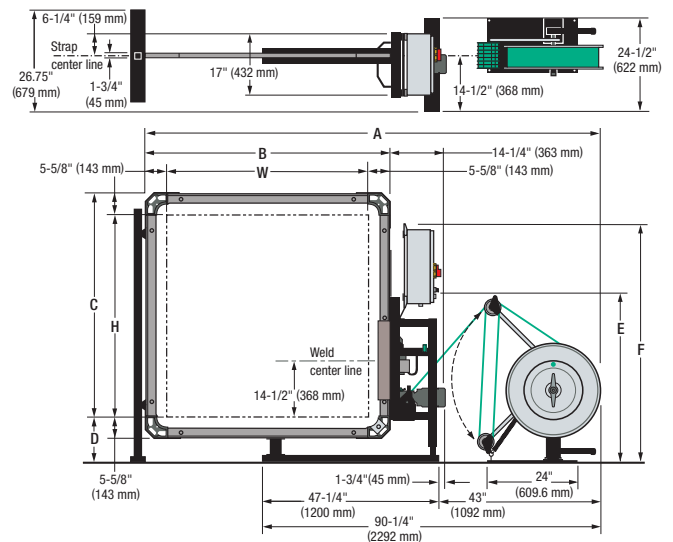
When switching to a spare module, downtime can be limited to a matter of minutes. The MH-11/16 features the Smart-weld™ friction-weld seal joint. Smart-weld™ confirms that regardless of fluctuating voltage, each weld is created by the same amount of anvil resistance for consistent strap joints.

Equipped with HMI operator control panel making operation of the machine more user friendly. Recognize and identify problem areas instantly to enable correction.



Machine Dimensions

		Maximum package width (W)									
		18"	24"	30"	36"	48"	60"	72"	84"	96"	108"
Maximum package height (H)	24"	18x24	24x24	30x24	36x24	48x24	60x24	72x24	84x24	96x24	108x24
	30"	18x30	24x30	30x30	36x30	48x30	60x30	72x30	84x30	96x30	108x30
	36"	18x36	24x36	30x36	36x36	48x36	60x36	72x36	84x36	96x36	108x36
	48"	18x48	24x48	30x48	36x48	48x48	60x48	72x48	84x48	96x48	
	60"	18x60	24x60	30x60	36x60	48x60	60x60	72x60	84x60		
	72"	18x72	24x72	30x72	36x72	48x72	60x72	72x72			
	84"	18x84	24x84	30x84	36x84	48x84	60x84				
96"	18x96	24x96	30x96	36x96	48x96						
108"	18x108	24x108	30x108	36x108							



Technical Specifications

Strapping	Tenax® Polyester Strapping 1/2" (12.7mm), 5/8" (16mm)
Electrical	230/460 V, 60 Hz, 3 phase 400 V, 50 Hz, 3 phase
Feed & Take-Up Speed	7.7 feet per second (2.3m)
Shipping Weight	750 lbs. (340kg)

Options

- Right-angle strap dispenser
- Operatorless interlocks
- Auxillary Operator Pendant

The company reserves the right to make technical alterations without prior notification.
© 2023 Signode Industrial Group LLC / ID-7553 / R-231024 / www.Signode.com
For inquiries please contact Signode Industrial Group LLC at marketing@signode.com



Variable Machine Dimensions

- A Maximum package width from chart, plus 66-3/4"
- B Maximum package width from chart, plus 11-1/4"
- C Maximum package height from chart, plus 5-5/8"
- D Conveyor height 8" to 29" in one-inch increments
- E Control height 41-1/2" to 62-1/2" in one-inch increments
- F Frame height 60" to 81" in one-inch increments
- H Maximum package height from chart
- W Maximum package width from chart